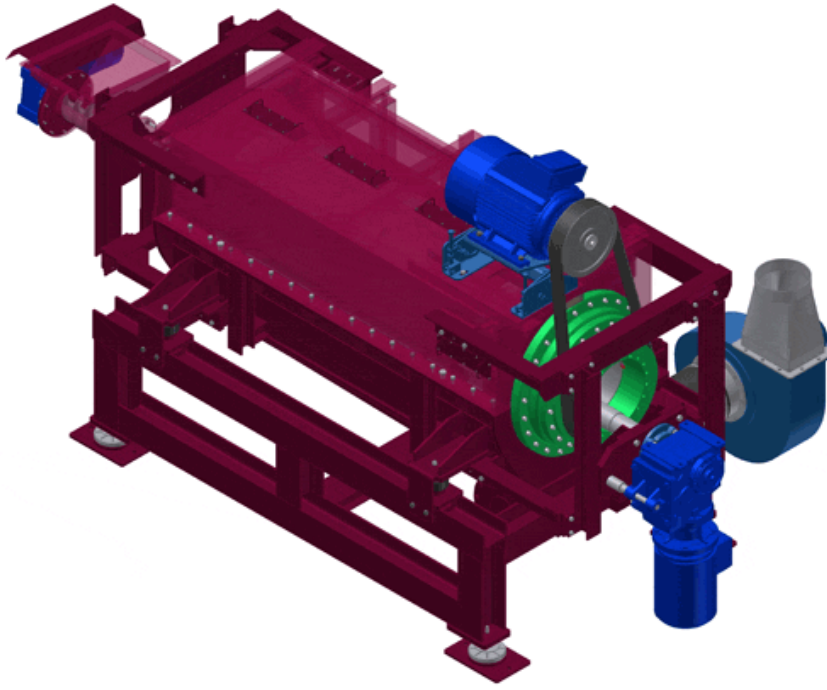


PROMECCO CENTRIFUGE PEC



Promeco PEC Centrifuge removes water from plastics.

PRODUCTION: 1500 kg / h

INPUT MATERIAL

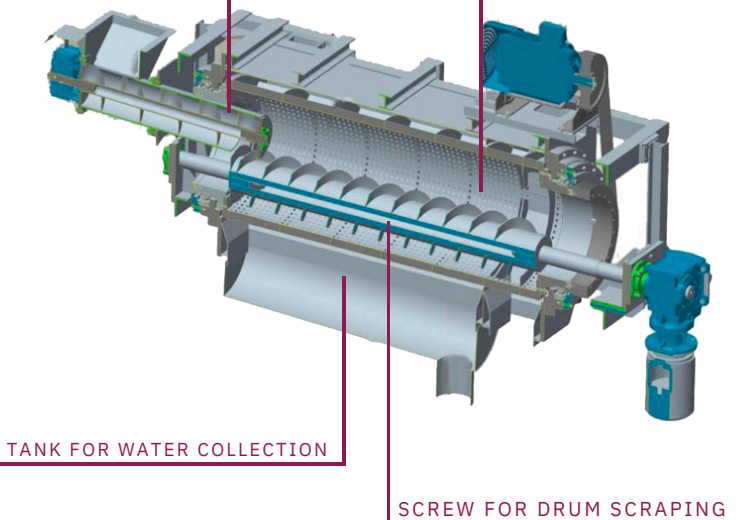
- Film
- PE, PP
- Mixed plastics
- RDF
- Pulper
- Tetrapak



DETAILS

FEEDING SCREW

INTERCHANGEABLE DRUM



TANK FOR WATER COLLECTION

SCREW FOR DRUM SCRAPING



OUTPUT MATERIAL

- Dry material with moisture <5%