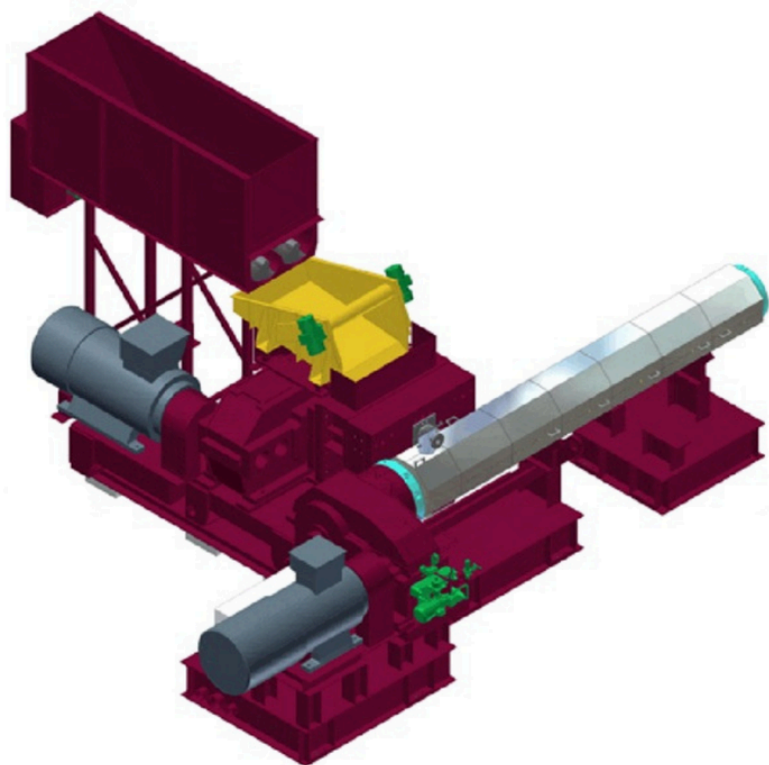


# DENSIFICATION & PELLETIZING LINE COMBO



The densification & pelletizing line is made of the combination of the Promeco Extruder System PES600 + the Pellettizer Promeco PE300. The COMBO PES+PE allows the complete removal of moisture from the plastics degassing the material.

This system is suitable to process materials with high ink content that degas due to high temperatures achieved.

PES+PE COMBO is also suitable to densify polyamide allowing the recycle of hard-to-recycle materials, as fishing nets made of PA6 or similar.

It is the perfect system to be used as feeder for Chemical Recycling plant.



## ADVANTAGES

- Mixing and homogenization of different polymers
- Homogeneous and continuous molten material
- Completely dehydrated output material
- Reduced melting time
- Compacted machines to install and manage, reduction of investment costs
- Small footprint of the equipment
- Low energy consumption (0,25 kW/kg)
- Material degassed thanks to the Promeco Extrusion System



## CAPACITY

Up to 1800 kg/h.

It depends on the characteristics of the plastic materials and the required density of the product.

## INPUT MATERIAL

- Mixed plastics
- Plastics from washing plants
- Agricultural film
- Plastics (PE, HDPE, EPS, PP, PA6)
- Feedstock for Chemical Recycling



## OUTPUT MATERIAL

- Melt, densified, degassed plastic
- High pressure for melt filter

