

OFMSW PRETREATMENT FOR ANAEROBIC DIGESTION

INPUT MATERIAL

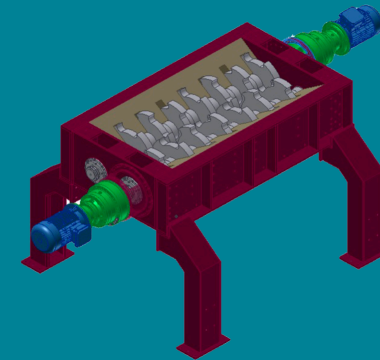
- OFMSW (organic fraction of municipal solid waste)



OUTPUT MATERIAL

- Smashed organic fraction for anaerobic digestion

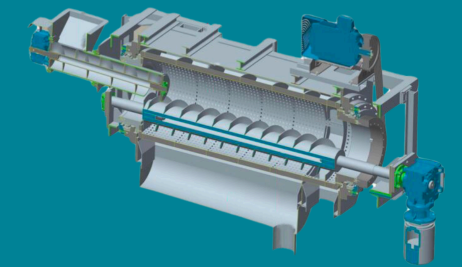
1. PROMECO BAG OPENER PBO



THE BAGS OPENING WITHOUT BREAKING THE WASTE

- Two shafts
- Hooks designed to open the bags without breaking the content, blades designed to prevent the hooking of the plastic bags, independent speed and rotating sense of the rotors, adjustable by inverter
- Adjustable distance between the blades
- Countercombs to optimize the breaking of the input waste

4. ORGANIC SEPARATOR PROMECO POS

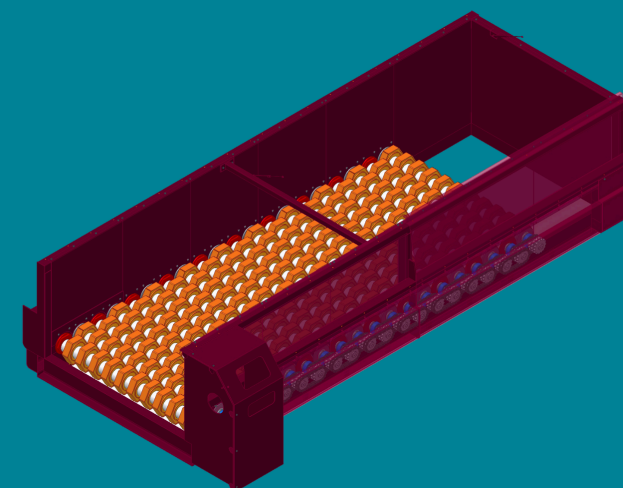


CLEANING OF ORGANIC FROM PLASTICS

- Sorting of organic from not-organic material
- Screw for drum cleaning
- Possibility to add water
- The high speed pushes the organic matter through the holes and the plastics are discharged at the end of the machine

FOUR NECESSARY STEPS TO MAXIMISE PERFORMANCE

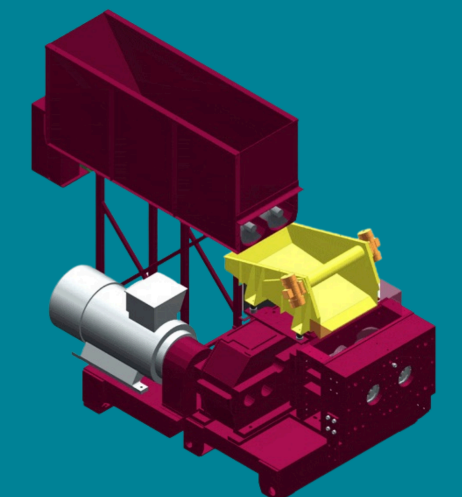
2. PROMECO STAR SCREEN PEV



REMOVAL OF PLASTICS FROM ORGANIC

- Screen with anti-wrapping system
- Reduced footprint

3. BIOEXTRUDER®



TO PULP AND SMASH THE ORGANIC WASTE

- Organic smashing without cutting plastic
- Increased surface for bacterial attack