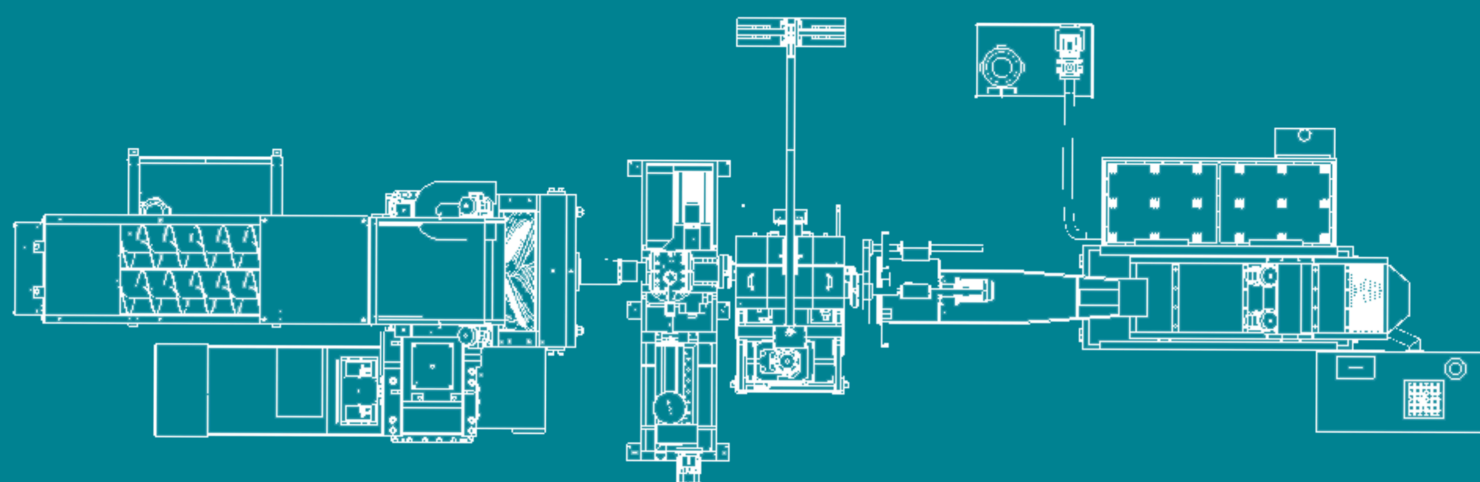
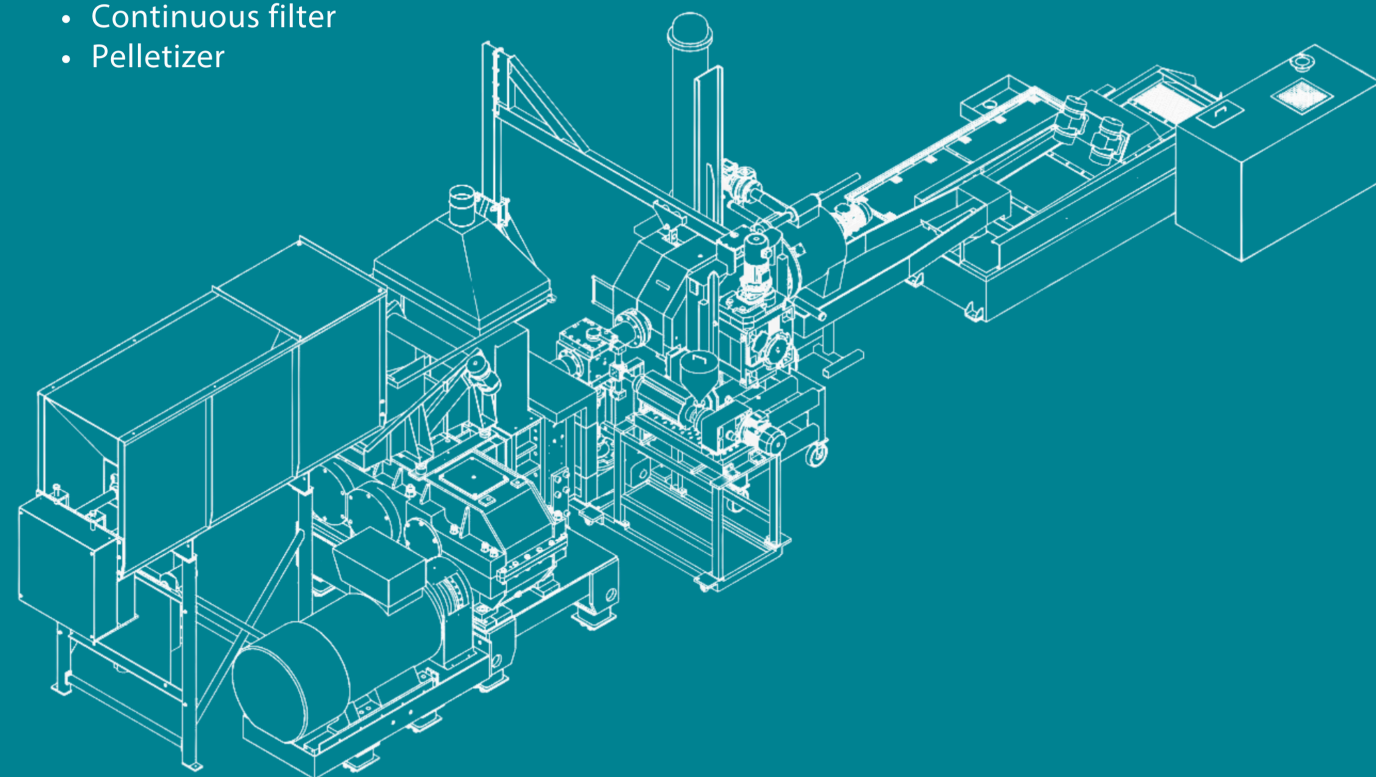


DRY CLEANING OF PLASTICS WITH GRANULE PRODUCTION

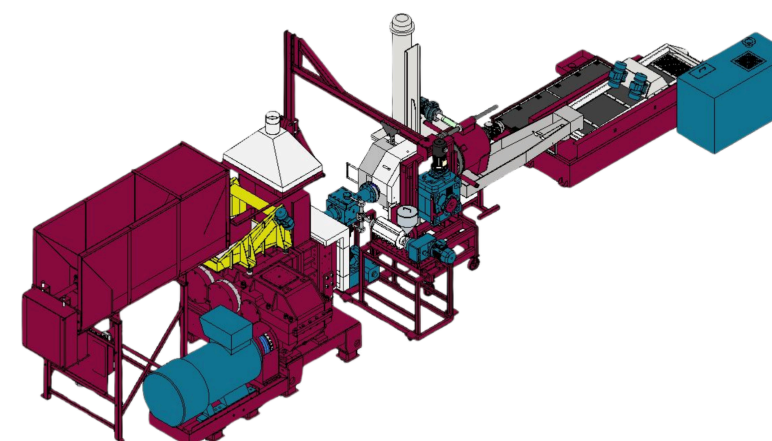


THE LINE IS COMPOSED BY:

- Promeco Extruder System® PES
- Melt pump
- Continuous filter
- Pelletizer



Promeco plant for plastic recycling, without washing.



ADVANTAGES

- Granule production without washing line and water consumption
- Compact line
- Low maintenance costs
- Low investment costs
- Energy saving
- Versatility



INPUT MATERIAL

- LDPE film



OUTPUT MATERIAL

- Pellet

