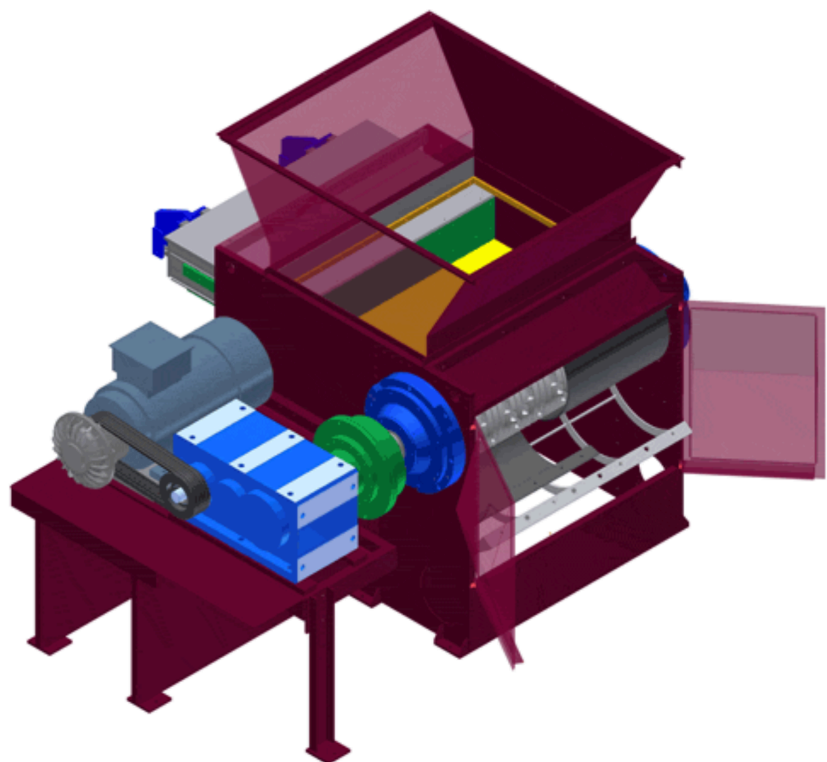


SINGLE SHAFT SHREDDER PROMECO KR



KR shredders boast over 20 years of proven experience and mean reliability, efficiency and robustness. KR shredders are specially designed to meet the client's needs or can be chosen among the different models available.

KR Shredder is a slow shredder that operates from 60 to 80 rpm and reduces all materials in volume through an optimized cutting process that, due to the lower position of the pusher towards the rotor axis, allows optimal productions with minor power installed.

TECHNICAL FEATURES

- Robustness
- Standard blades easy to be found on the market
- Optimized cutting system
- Reliability
- Versatility
- Ease of maintenance
- Customizable machine

INPUT MATERIAL

- MSW inorganic fraction
- RDF/RPF/SSF
- Plastic / rubber
- Packaging waste
- Light metals as aluminum profiles, cans, light iron scraps
- Textile scraps
- WEEE (waste electrical and electronic equipment)
- Industrial products
- Leather
- Paper and cardboard
- Wood waste
- Cables



OUTPUT MATERIAL

- Shred material sized 10-50mm



MODELS AVAILABLE

Rotor's length:
from 1000 to 3500 mm

Rotor's diameter:
from 400 to 730 mm

Mechanical transmission:
from 45 to 132 kW

Hydraulic transmission:
from 160 to 250 kW
Customized models upon request

