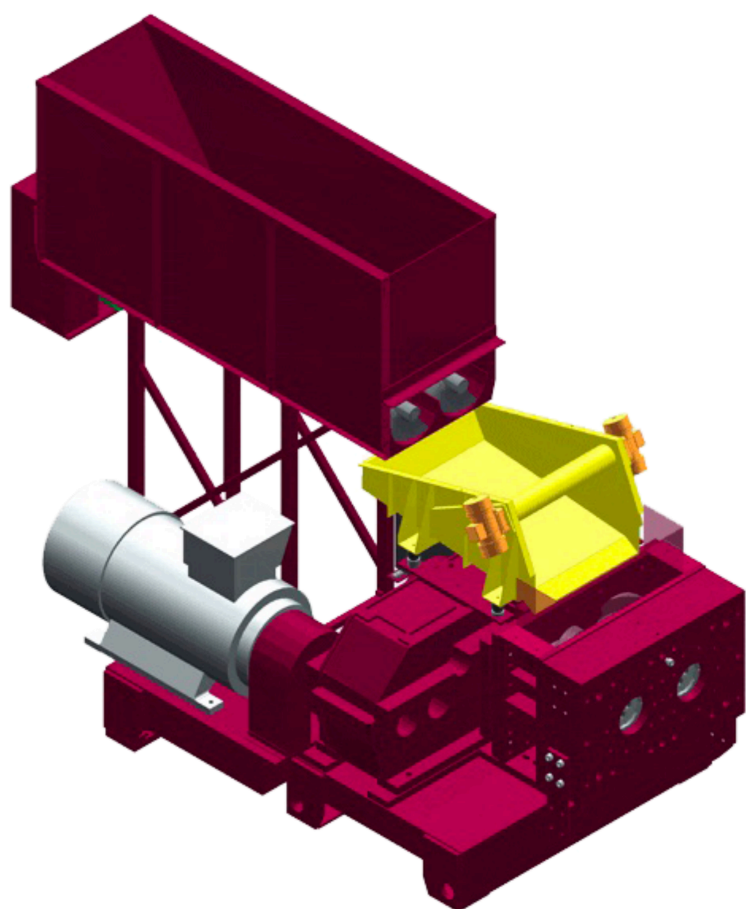


# BIOEXTRUDER<sup>®</sup> FOR PRETREATMENT TO ANAEROBIC DIGESTION



The simplest, easiest and most effective solution for the organic fraction treatment.

## TECHNICAL FEATURES

- Continuous process
- Increased biogas yield + 50%
- No water required
- Low maintenance costs
- Decreased composting time
- Increases AD yield

## INPUT MATERIAL

- Organic waste
- Biomass for Anaerobic Digestion (corn, seeds cultivated for bio-energy production, straw, manure)



## OUTPUT MATERIAL

- Organic matter for anaerobic digesters
- Defibrated matter with excellent features to be sent to anaerobic digestion: ready to be eaten and attacked by bacteria during the anaerobic process

## CAPACITY

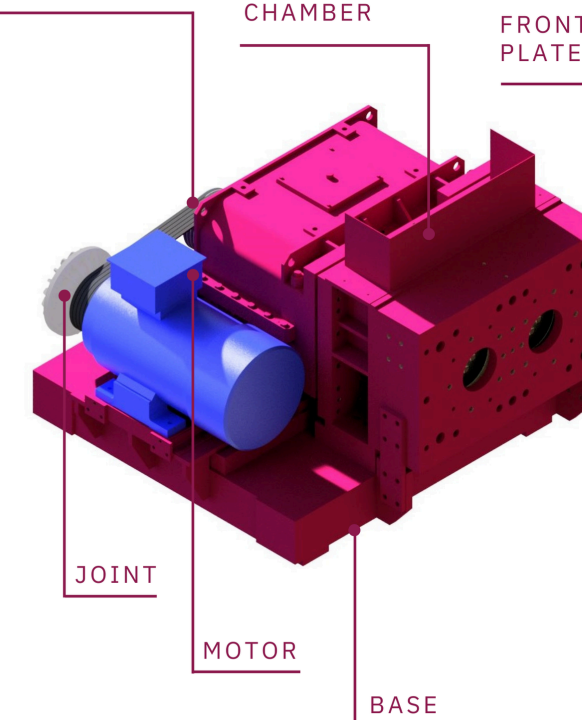
Compost and organic fraction for anaerobic digestion 25 - 40 m<sup>3</sup> / h, depending on the feedstock composition, structure and final size of the required product.

## DETAILS

TRASMISSION WITH PULLEY AND BELT

BRIQUETTING CHAMBER

FRONT PLATE



JOINT

MOTOR

BASE