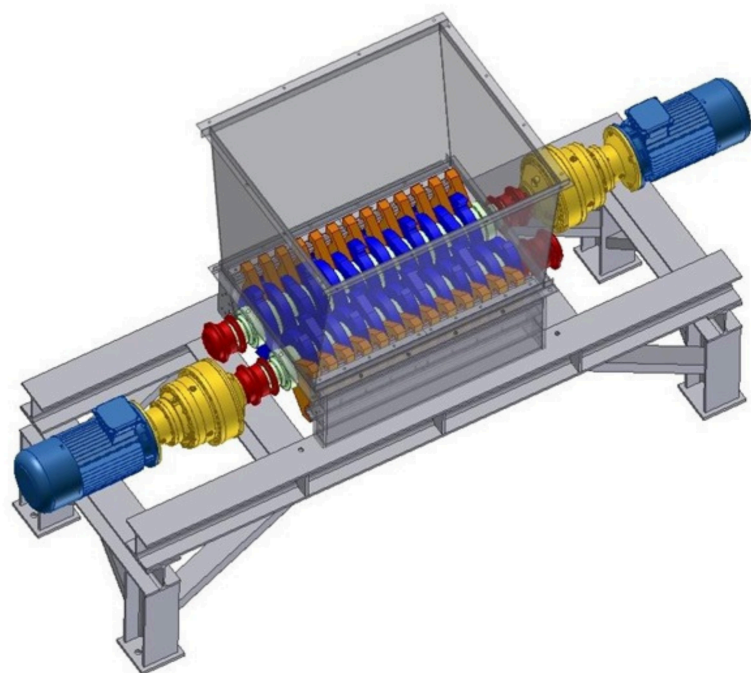


ROTOR SHEAR SHREDDER PROMECO PRS



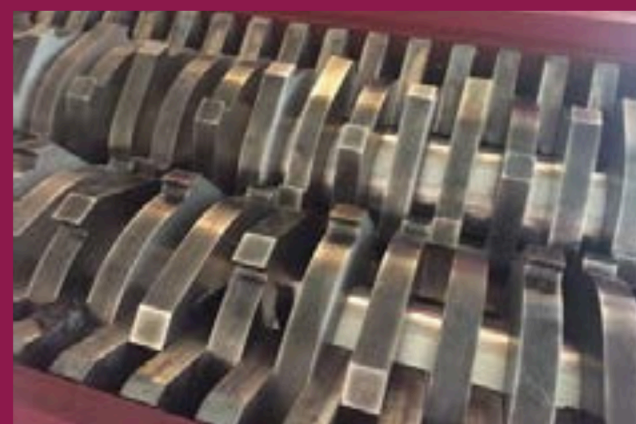
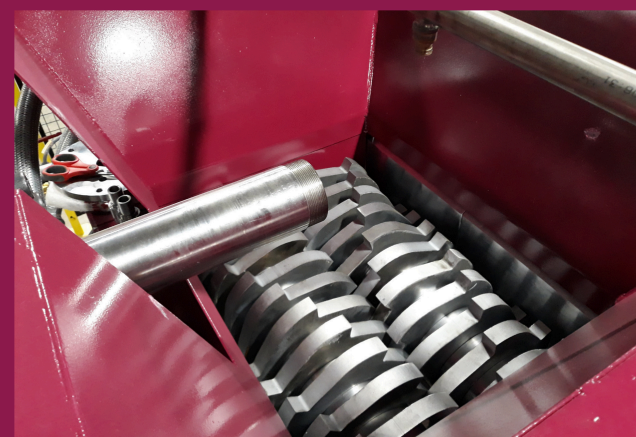
Promeco Rotor Shears Shredder has been engineered for a sharp cut for every material. Cutting discs are designed according to the material to be shred. The PRS is equipped with rotor cleaning system. The PRS is designed to shred C&I waste. The machine is equipped with two rotors with independent motors. The rotors are made of a series of hook discs that allow grasping and cutting of the material.

TECHNICAL FEATURES

- Bearing box detached from the machine body
- Blades coated in resistant steel
- No middle cutting tables
- Reliability
- Versatility
- Ease of maintenance

INPUT MATERIAL

- Industrial waste
- Packaging
- Pulper from paper mill



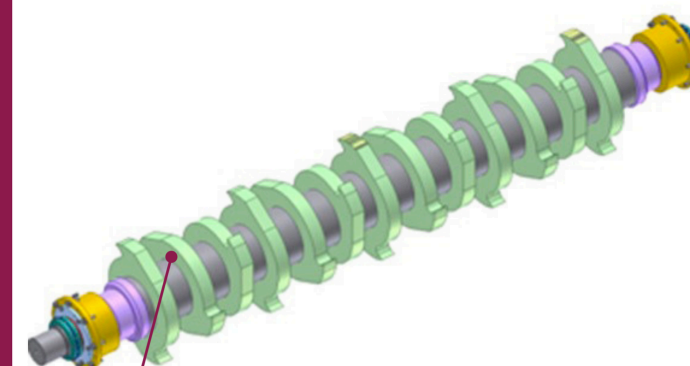
OUTPUT MATERIAL

- Pre-shred material with different size

MODELS AVAILABLE

Rotor's length:
from 1000 to 2000 mm

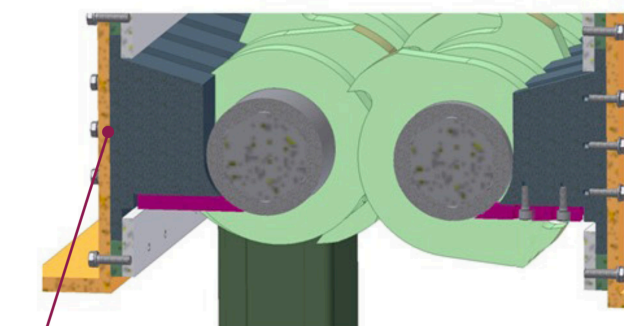
Power:
from 2x37,5 kW to 2x132 kW
Customized models upon request



KNIVES IN WEAR PREVENTION
MATERIAL SUITABLE FOR HARDFACING

PROCESSING CAPACITY

The processing capacity reaches 20 t/h and can vary according to size and density of the material, motor's power and rotors' size. The non-shreddable materials are automatically rejected.



ROTOR CLEANING KNIVES