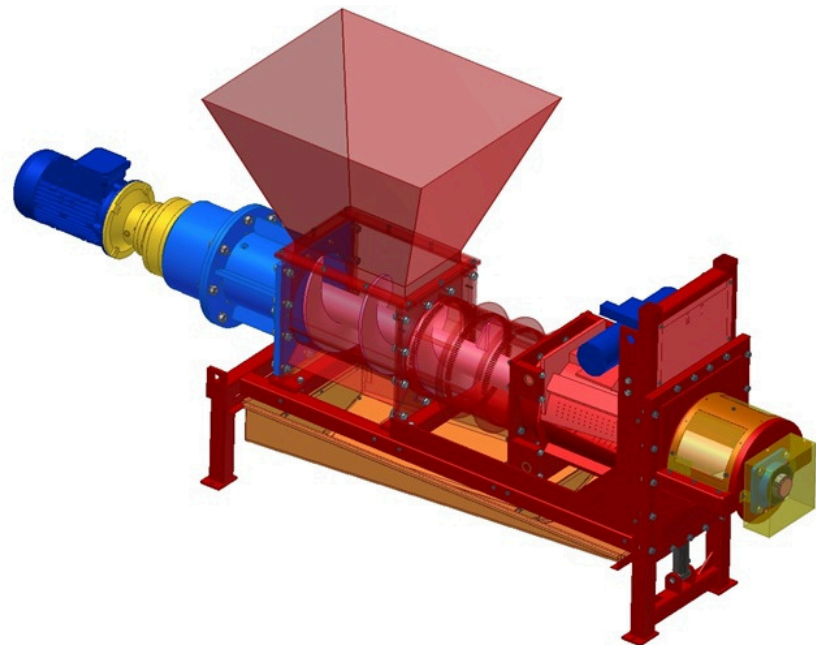


PROMECO ECODRYER PED



DESCRIPTION

Promeco PEC Centrifuge removes water from plastics. The material is fed into a hopper continuously and is conveyed into the squeezing chamber.

The main screw compacts and squeezes material against a grid from which water gets out from holes and is collected into a vat under the PED.

On the front side of the machine there is a hydraulic cylinder that manages the outlet matrix causing a pressure increase and optimizes the squeezing.

The PLC maximizes opening and closing of the matrix through cylinder pressure that is bound to the Amps of the main motor.

CAPACITY

- 800 kg/h of output product with 10% H₂O
- 1000 kg/h of output product with 12% H₂O
- From 20 to 150³ m / h

INPUT MATERIAL

- Film
- PE, PP
- Mixed plastics
- RDF
- Pulper
- Tetrapack



OUTPUT MATERIAL

- Dry material with moisture <10%